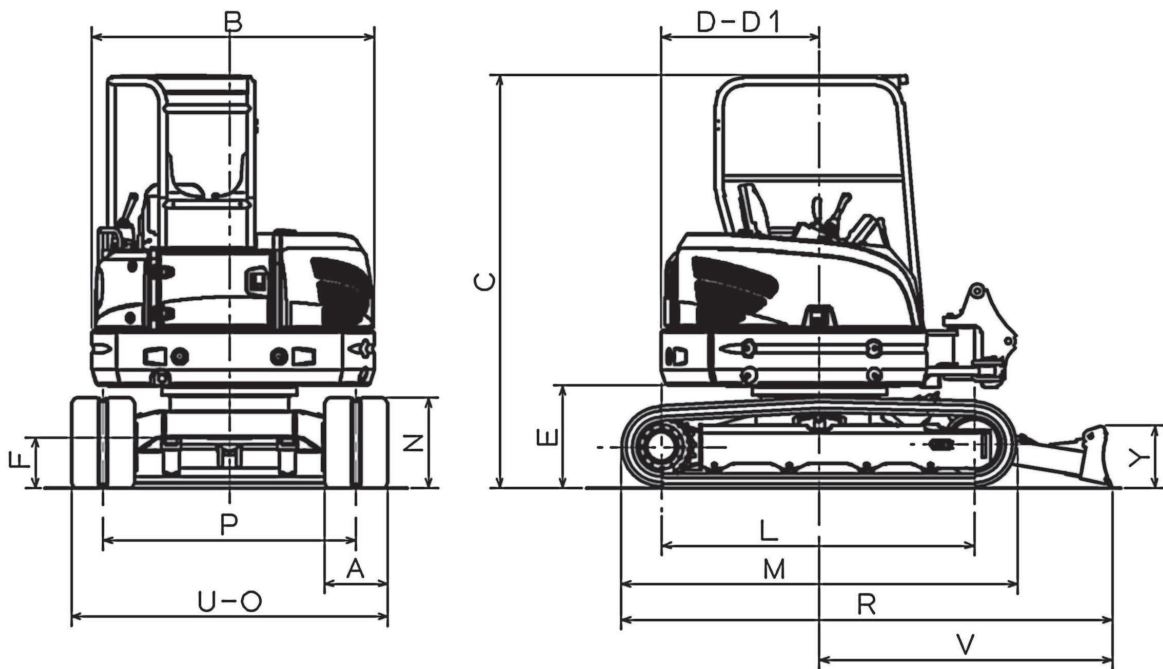


■ Main body external dimensions



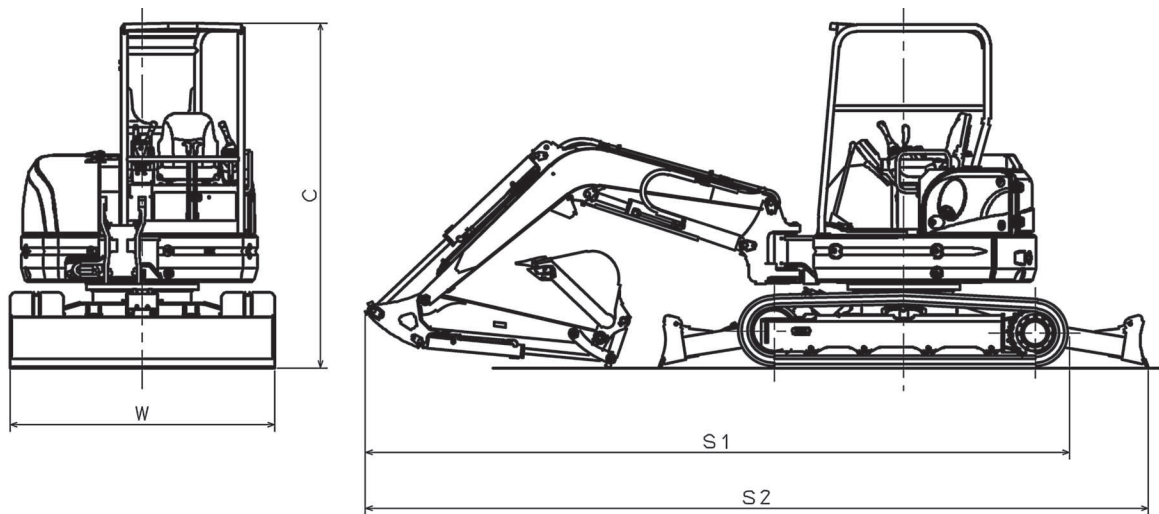
Unit:mm

		Two-post canopy	Four-post canopy	Cab
B	Upper structure overall width	1780	1780	1790
C	Overall height	400mm Rubber shoe	2590	2570
		400mm Steel shoe	2590	2570
D	Tail end swing radius	1120	1120	1120
D1	Swing body tail end distance	1120	1120	1120
E	Swing body rear lower end height	400mm Rubber shoe	640	640
		400mm Steel shoe	640	640
F	Ground clearance	400mm Rubber shoe	320	320
		400mm Steel shoe	320	320
Y	Blade height	385	385	385
U	Blade width	1990	1990	1990
V	Blade ground contact position	1840	1840	1840

Unit: mm

Name	Distance between tumbler centers	Crawler overall length	Crawler height	Crawler overall width	Distance between crawler centers	Crawler shoe width	Shoe pitch	Number of shoe	Undercarriage overall length	Crawler bearing area JIS (cm ²)
Crawler specification	L	M	N	O	P	A	-	-	R	-
400mm Rubber shoe	1970	2490	565	1990	1590	400	72.5	74×2	3090	17200
400mm Steel shoe	1960	2480	565	1990	1590	400	135	39×2	3090	17150

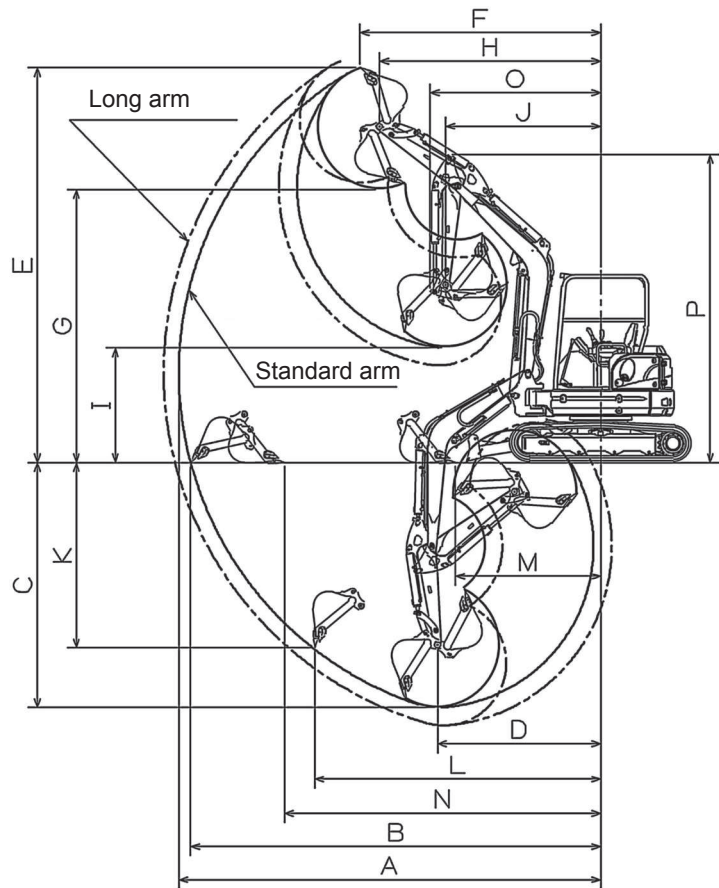
■ Dimensions upon transportation



Unit: mm

		Two-post canopy	Four-post canopy	Cab
Attachment specification		Standard	Standard	Standard
Bucket capacity (m ³) New JIS		0.18	0.18	0.18
S1	Overall length (Blade in front)	5520	5520	5520
S2	Overall length (Blade in rear)	6120	6120	6120
C	Overall height	400mm Rubber shoe	2590	2570
		400mm Steel shoe	2590	2570
W	Overall width	1990	1990	1990

(1) Standard/Long arm



CAUTION

When digging deep at the blade side, the boom cylinder sometimes interferes with the blade.

Unit: mm

No.	Name	Standard arm	Long arm
	Standard mounted bucket capacity (m ³) New JIS	0.18	0.14
A	Maximum digging radius	6200	6440
B	Maximum floor level digging radius	6060	6300
C	Maximum digging depth (without blade)	3800	4040
D	Radius against maximum digging depth	1960	2250
E	Maximum digging height	5710	5860
F	Radius against maximum digging height	3590	3790
G	Maximum dump height	4050	4200
H	Radius against maximum dump height	3340	3530
I	Minimum dump height	1470	1220
J	Radius against minimum dump height	2180	2190
K	Maximum vertical digging depth	2980	3220
L	Radius against maximum vertical digging depth	4030	4090
M	Minimum floor level digging radius	1960	1800
N	Maximum digging distance with floor	4770	5010
O	Minimum front swing radius	2450	2470
	(Swing in right)	2120	2130
	(Swing in left)	2220	2240
P	Height against minimum front swing radius	4350	4350
	Arm length	1600	1850
	Boom length	2900	2900

(2) Side groove digging work range

